

MultiFit LED Street / Carpark Light – 200W

Model: RLSSL200W-2C

LED Street / Carpark lights are suitable for car parks, street lighting, lane ways, parks or anywhere external lighting is required. Our MultiFit Street Light is designed to fit either pole top mounting or spigot mounting all in the one product.



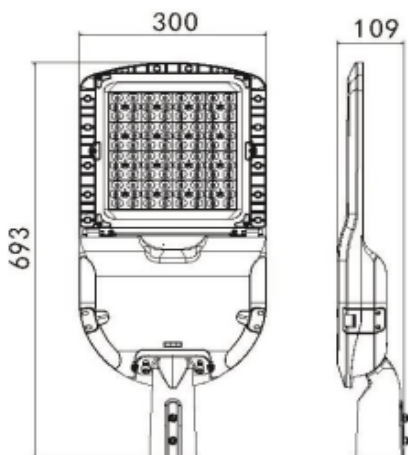
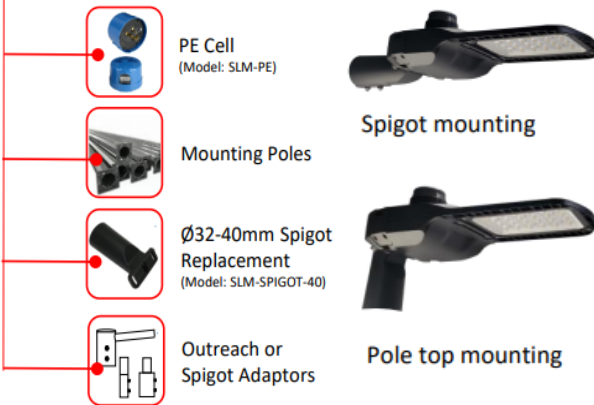
2 Colour Adjustable

Product Features

- Only consumes 200w of power
- PE Cell Compatible
- Supports pole top ($90^{\circ} \pm 5^{\circ}$) or spigot mounting ($0^{\circ} \pm 5^{\circ}$)
- IK08 impact rating
- 10KV Surge Protector



Options:



SPECIFICATION

Colour Temp (2CCT)	4000K or 5000K
Lumen (lm)	22206lm or 22116lm
Efficiency (Lm/w)	>111Lm/w or >110lm/w
Light Source	LED
Beam Angle	150° / 80°
Power Requirement	AC 90~305VAC
Power Consumption	200W
Housing	Aluminium with tempered glass Glass
Lifespan	> 40,000 hours
Operation Temperature	-30°C~+40°C
Dimension (mm)	Spigot Mount: 693 (L) x 300 (W) x 109 (H)
Fits Spigot Size	Ø50 ~ Ø60mm
Protection Rating	IP65
Weight	6.9kg
Warranty	5 years